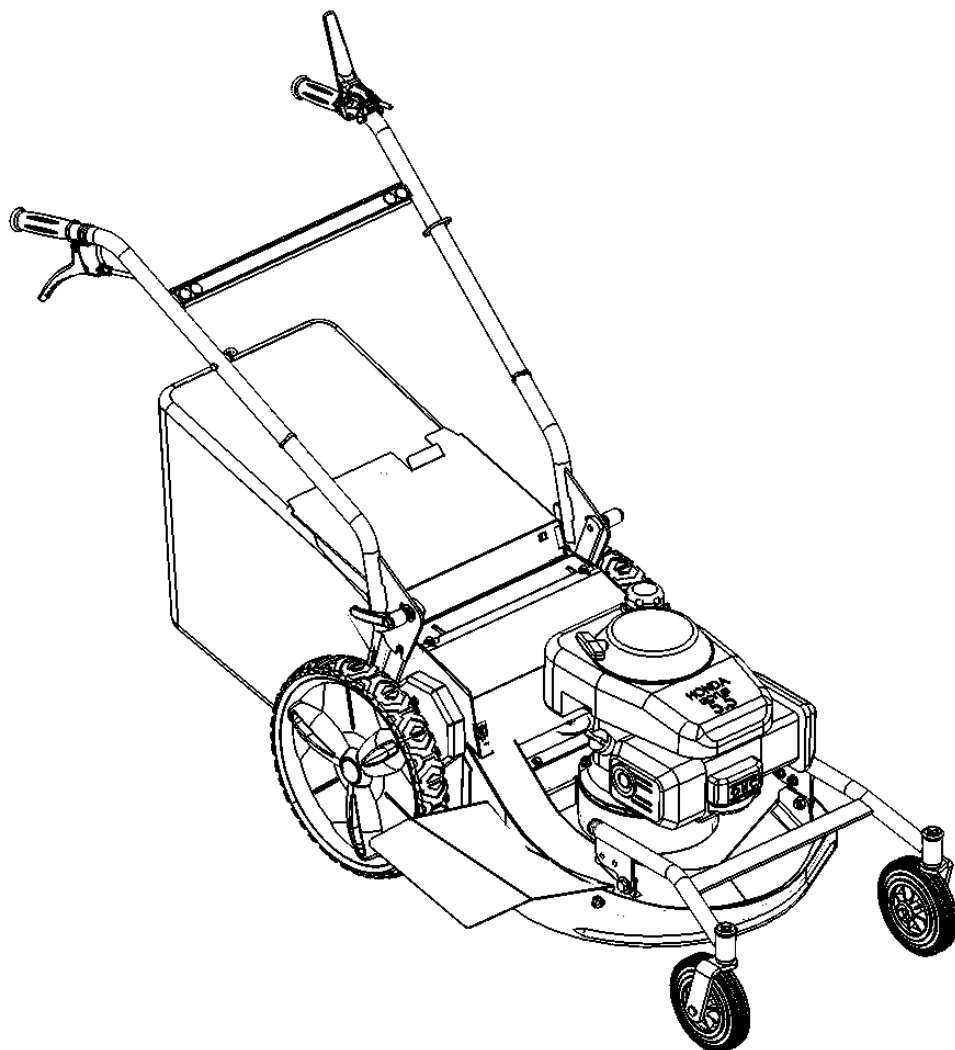


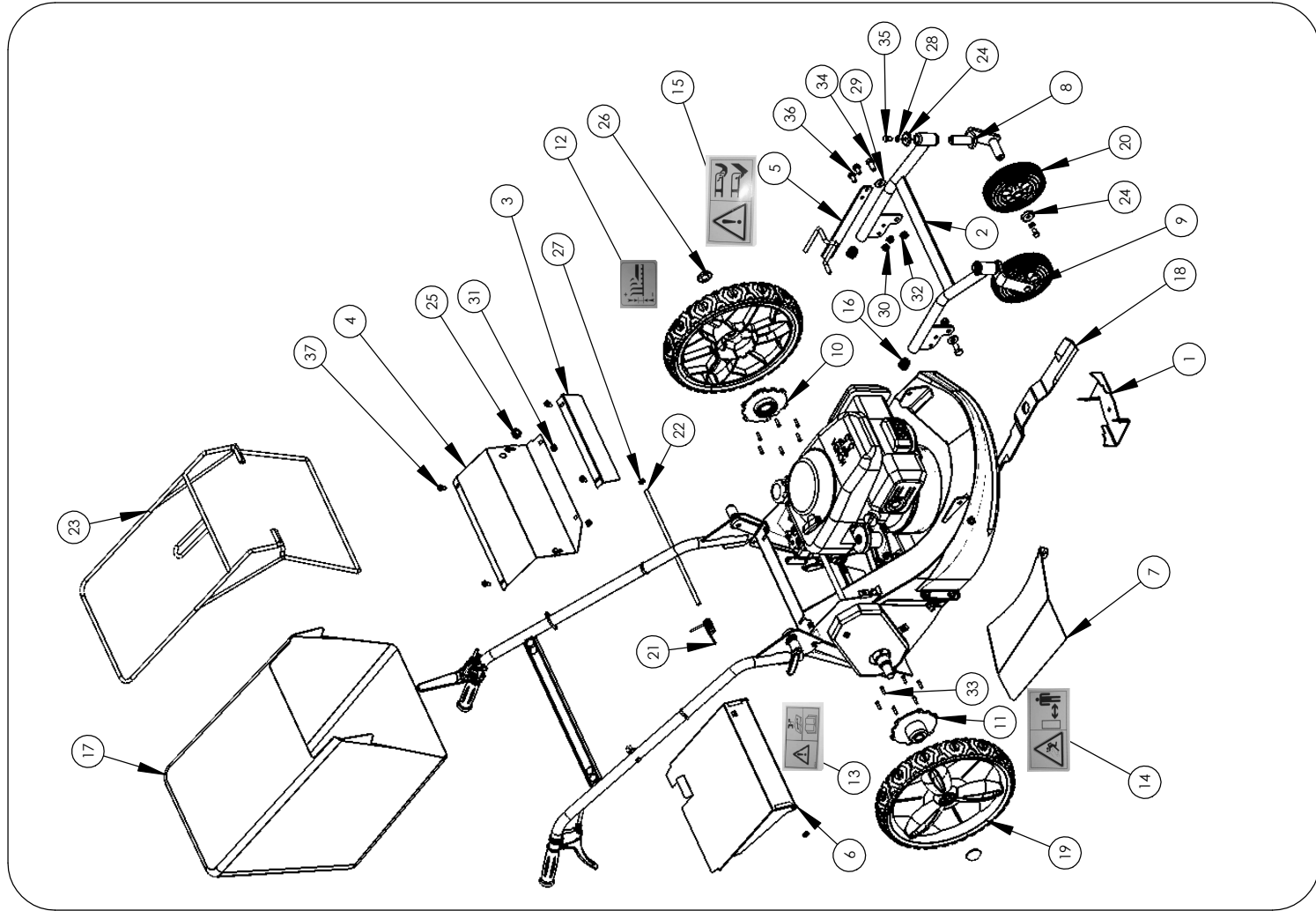
Pièces de rechange Spare parts list

KC0003****



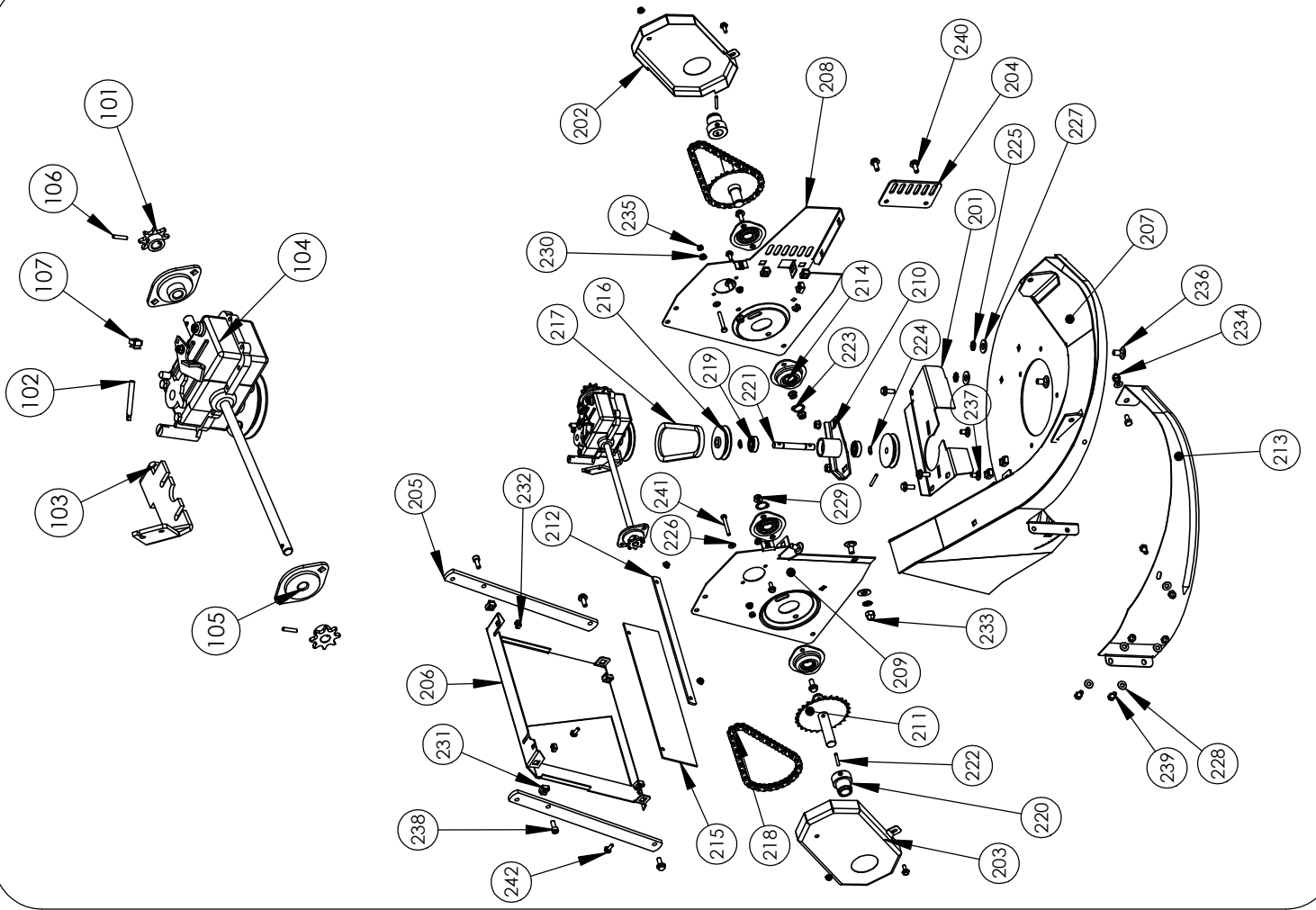
*FAUCHEUSE BROYEUSE
BRUSH CUTTER*

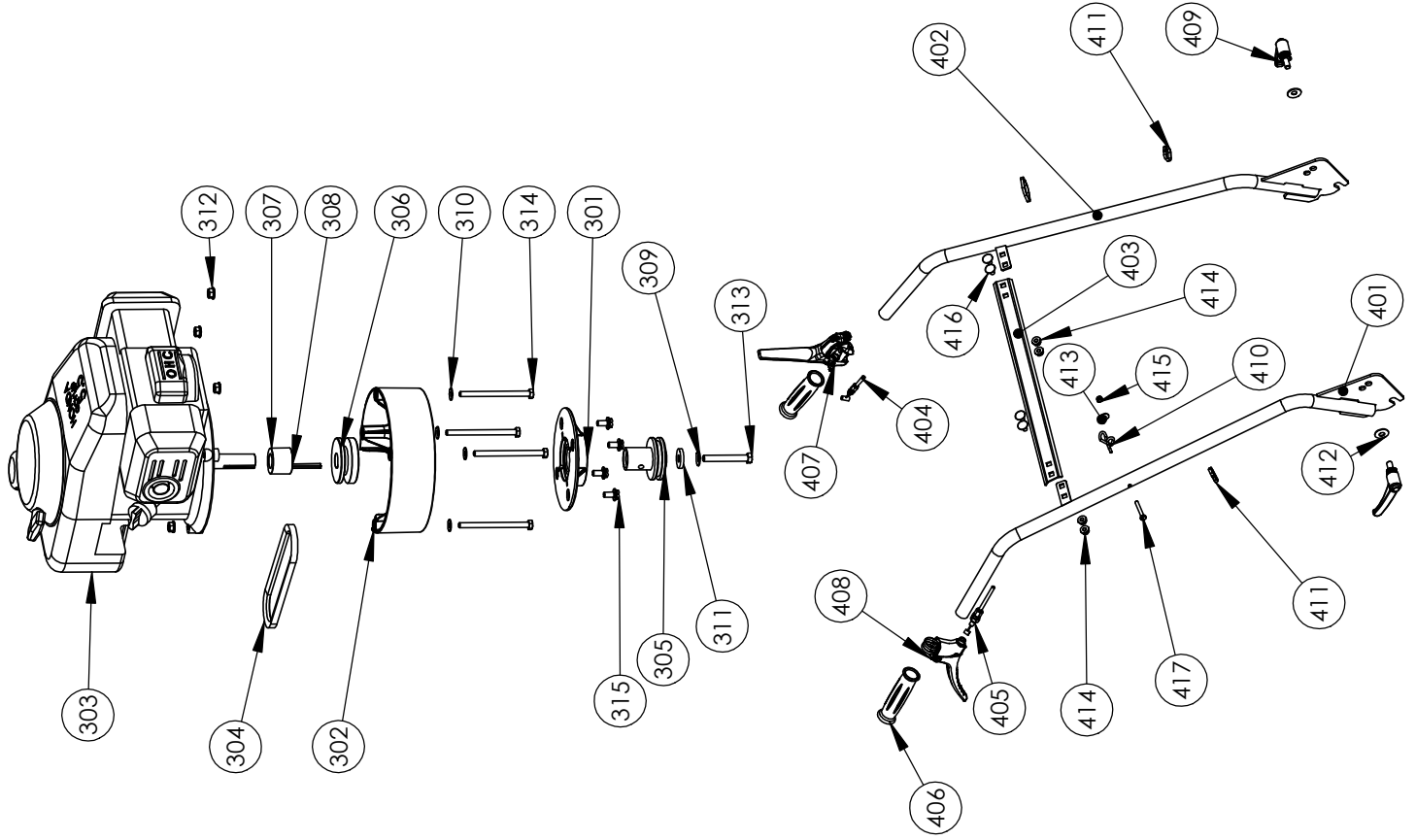
| Rep N° | Ref | Désignation | Description | Qté |
|--------|-------------|---|--------------------------------------|-----|
| 1 | KC02031607 | TURBINE DE VENTILATION NOIR | BLACK VENTILATING PLATE | 1 |
| 2 | KC02031103 | TRAIN AVANT GRIS RAL7040 | GREY RAL7040 FRONT AXLE | 1 |
| 2 | KC02031402 | TRAIN AVANT GRIS RAL8120 | GREY RAL8120 FRONT AXLE | 1 |
| 3 | KC02030605 | TOLE ARRIERE PROTECTION RELAIS ROUGE | RED DOWNSIDE HATCH | 1 |
| 3 | KC02032105 | TOLE ARR PROTECTION RELAIS VERT | GREEN DOWNSIDE HATCH | 1 |
| 3 | KC02030805 | TOLE ARR PROTECTION RELAIS JAUNE | YELLOW DOWNSIDE HATCH | 1 |
| 4 | KC02030604 | CARTER SUPERIEUR ROUGE | RED UPSIDE HATCH | 1 |
| 4 | KC02030804 | CARTER SUP JAUNE | YELLOW UPSIDE HATCH | 1 |
| 4 | KC02032104 | CARTER SUP VERT | GREEN UPSIDE HATCH | 1 |
| 5 | KC02030205 | LEVIER DE SELECTION HAUTEUR ZN | LIFT HANDLE | 1 |
| 6 | KC02011604 | VOLET ARRIERE NOIR | BACK SHUTTER | 1 |
| 7 | KC02011104 | ENDAINEUR GRIS RAL7040 | GREY RAL7040 SIDE DEFLECTOR | 1 |
| 7 | KC02031403 | ENDAINEUR GRIS RAL8120 | GREY RAL8120 SIDE DEFLECTOR | 1 |
| 8 | KC02010205 | CHAPE DE ROUE AVT GAUCHE ZN (diam.160) | LEFT SUPPORT FRONT WHEEL | 1 |
| 9 | KC02010204 | CHAPE DE ROUE AVANT DROIT ZN (diam.160) | RIGHT SUPPORT FRONT WHEEL | 1 |
| 10 | KC01030009 | MOYEU DE ROUE GAUCHE ASS | LEFT RATCHET WHEEL HUB | 1 |
| 11 | KC01030007 | MOYEU DE ROUE DROITE ASS | RIGHT RATCHET WHEEL HUB | 1 |
| 12 | K503000023- | AUTOCOLLANT HAUTEUR DE COUPE | STICKER "WORK LEVEL" | 1 |
| 13 | K503000015- | AUTOCOLLANT LIRE LA NOTICE | STICKER "READ THE MANUAL BEFORE USE" | 1 |
| 14 | K503000003- | AUTOCOLLANT DISTANCE DE SECURITE | STICKER "SECURITY DISTANCE" | 1 |
| 15 | K503000002- | AUTOCOLLANT DANGER SECTIONNEMENT | STICKER "CAUTION : CUTTING PARTS" | 1 |
| 16 | K341000021 | BOUCHON TUBE DIAM 25 | PLASTIC CAP | 2 |
| 17 | K320070002 | SAC PANIER | BAG | 1 |
| 18 | K320020018 | LAME DE 500 | BLADE 500cm | 1 |
| 19 | K309000028 | ROUE ARRIERE Ø 370 | BACK WHEEL Ø370 | 2 |
| 20 | K309000010 | ROUE Ø 160 | FRONT WHEEL | 2 |
| 21 | K305010004 | RESSORT DE VOLET | SPRING FOR BACK SHUTTER | 1 |
| 22 | K305000028 | AXE DE VOLET | AXLE FOR BACK SHUTTER | 1 |
| 23 | K305000001 | ARMATURE PANIER | SKELETON | 1 |
| 24 | K302000001 | RONDELLE PROTECTION AXE ROUE AVANT | PROTECT WASHER | 4 |
| 25 | K301000005 | PASSE FIL | WIRE PROTECT | 1 |
| 26 | K300702001 | ENJOLIVEUR Ø20 | TRIM STOPPER | 2 |
| 27 | K300460801 | RONDELLE STARLOCK DIAM 8 | WASHER STARLOCK DIAM 8 | 2 |
| 28 | K300440801 | RONDELLE AZ 8 | WASHER AZ 8 | 4 |
| 29 | K300401002 | RONDELLE PLATE 27 x 10,25 x 2 ZN | WASHER 27 x 10,25 x 2 ZN | 2 |
| 30 | K300260801 | ECROU H M8 EMB CR | NUT H M8 NOTCHED SHOULDER | 2 |
| 31 | K300230601 | ECROU RAPID M 6 C 48068 | NUT RAPID M 6 C 48068 | 2 |
| 32 | K300211001 | ECROU FREIN M10 | BLOCKING NUT M10 | 2 |
| 33 | K300090403 | VIS WN 1451 K 40 x 20 TORX | SCREW WN 1451 K 40 x 20 TORX | 12 |
| 34 | K300011009 | VIS TH 10 x 25 ZN | SCREW TH 10 X 25 ZN | 2 |
| 35 | K300010814 | VIS H M8 x 16 | SCREW H M8 X 16 | 4 |
| 36 | K300010802 | VIS EMB CR 8 x 20 | SCREW H NOTCHED SHOULDER 8 X 20 | 2 |
| 37 | K300010601 | VIS H 6 x 16 EMB CR | SCREW H NOTCHED SHOULDER 6 X 16 | 6 |



| Rep N° | Ref. | Désignation | Description | Qté |
|--------|------------|------------------------------|----------------------------|-----|
| 101 | KE04010011 | PIGNON 8 DENTS | SPROCKET 8 TEETH | 2 |
| 102 | KC04010022 | VIS BIELETTE EMBRAYAGE | CLUTCH SCREW | 1 |
| 103 | KC02030401 | SUPPORT BOITIER PLIE ZN NOIR | BASE FOR GEARBOX | 1 |
| 104 | K306040007 | BOITIER REDUCTEUR | GEARBOX | 1 |
| 105 | K306010010 | PALIER FLASQUE TOLE DIAM 12 | SELF-ALIGNING BEARING UNIT | 2 |
| 106 | K301090003 | GOUPILLE ROULEE 4 x 20 | ROLLED COILER 4 X 20 | 2 |
| 107 | K300230602 | ECROU RAPID M6 C 4806 C | NUT RAPID M6 C 4806C | 1 |

| | | | | |
|-----|------------|---------------------------------------|-----------------------------------|----|
| 201 | KC02031608 | SUPPORT RELAIS NOIR | INTERMEDIARY BASE | 1 |
| 202 | KC02031605 | CARTER DE CHAINE GAUCHE NOIR | CHAIN BONNET (LEFT SIDE) | 1 |
| 203 | KC02031604 | CARTER DE CHAINE DROIT NOIR | CHAIN BONNET (RIGHT SIDE) | 1 |
| 204 | KC02031603 | SELECTEUR HAUTEUR NOIR | WORK LEVEL SELECTION TOOL | 1 |
| 205 | KC02031602 | PLAT DE SUPPORT MANCHERON NOIR | HANDLEBAR BASE | 2 |
| 206 | KC02031601 | CARTER ARRIERE NOIR | BACK CARTER | 1 |
| 207 | KC02031401 | COUPOLE GRIS RAL8120 | GREY RAL8120 BLADE GUARD | 1 |
| 207 | KC02031101 | COUPOLE GRIS RAL7040 | GREY RAL7040 BLADE GUARD | 1 |
| 208 | KC02030602 | FLANC GAUCHE ROUGE | RED LEFT SIDE CARTER | 1 |
| 208 | KC02032102 | FLANC GAUCHE ATHENA 08 VERT | GREEN LEFT SIDE CARTER | 1 |
| 208 | KC02030803 | FLANC GAUCHE JAUNE | YELLOW LEFT SIDE CARTER | 1 |
| 209 | KC02030601 | FLANC DROIT ROUGE | RED RIGHT SIDE CARTER | 1 |
| 209 | KC02032101 | FLANC DROIT ATHENA 08 VERT | GREEN RIGHT SIDE CARTER | 1 |
| 209 | KC02030802 | FLANC DROIT JAUNE | YELLOW RIGHT SIDE CARTER | 1 |
| 210 | KC02030204 | PLATINE DE RELAIS ZN | INTERMEDIARY SUPPORT | 1 |
| 211 | KC02030202 | ESSIEU ARRIERE ZN | AXLE | 2 |
| 212 | KC02030201 | BRIDE DE BAVETIE | BACK RUBBER SUPPORT | 1 |
| 213 | KC02011107 | BANDEAU TONDEUSE GRIS RAL7040 | GREY RAL7040 FRONT DEFLECTOR | 1 |
| 213 | KC02031404 | BANDEAU TONDEUSE GRIS RAL8120 | GREY RAL8120 FRONT DEFLECTOR | 1 |
| 214 | KC01010001 | PALIER AVEC RLT. DE 20 ASSEMBLE | SELF-ALIGNING BEARING UNIT | 4 |
| 215 | K342000001 | BAVETTE ARRIERE | BACK RUBBER | 1 |
| 216 | K306040011 | POUIE DE 70 + GOUPILLE D5 | PULLEY D 70 + COILER-PIN D5 | 2 |
| 217 | K306030002 | COURROIE 10 X 6 | V BELT 10 X 6 | 1 |
| 218 | K306020013 | CHAINE 44 MAILLONS BS 12.7 S 5T DELTA | CHAIN 44 LINKS BS 12.7 S 5T DELTA | 2 |
| 219 | K306010018 | ROULEMENT 6201 2RS 12 x 32 x 10 | BEARING 6201 2RS 12 x 32 x 10 | 2 |
| 220 | K302010075 | AXE MOYEU DIFFERENTIEL | HUB | 2 |
| 221 | K302010074 | AXE DE RELAIS | INTERMEDIARY AXLE | 1 |
| 222 | K301090007 | GOUPILLE 5 X 40 H8K | ROLLED COILER 5 X 40 H8K | 2 |
| 223 | K301070006 | CIRCLIPS EXTERIEUR DE 20 | CIRCLIPS EXT 20 | 2 |
| 224 | K301070002 | CIRCLIPS EXTERIEUR DE 12 | CIRCLIPS EXT 12 | 2 |
| 225 | K300441001 | RONDELLE EVENTAIL AZ 10 ZN | WASHER AZ 10 ZN | 4 |
| 226 | K300430601 | RONDELLE CONTACT M6 | WASHER M6 | 2 |
| 227 | K300401201 | RONDELLE PLATE 27 x 12.5 x 2.5 | WASHER 27 x 12.5 x 2.5 | 4 |
| 228 | K300400802 | RONDELLE PLATE 18 x 8 x 1.5 | WASHER 18 X 8 X 1.5 | 6 |
| 229 | K300260801 | ECROU H M8 EMB CR | NUT H M8 NOTCHED SHOULDER | 7 |
| 230 | K300260601 | ECROU H M6 Z EMB CR | NUT H M6 Z NOTCHED SHOULDER | 8 |
| 231 | K300230802 | ECROU " RAPID " DE 8 C 4808 B | NUT RAPID M8 C 4808B | 9 |
| 232 | K300230601 | ECROU RAPID M 6 C 4806B | NUT RAPID M6 C 4806B | 6 |
| 233 | K300221001 | ECROU BORGNE M10 | NUT M10 | 1 |
| 234 | K300220802 | ECROU BORGNE M8 | NUT M8 | 4 |
| 235 | K300200602 | ECROU HU M6 | NUT HU M6 | 2 |
| 236 | K300081002 | BOULON TRCC 10 x 20 | SCREW TRCC 10 x 20 | 4 |
| 237 | K300080802 | BOULON TRCC 8 x 16 | SCREW TRCC 8 x 16 | 2 |
| 238 | K300020802 | VIS CHC 8 x 20 | SCREW CHC 8 x 20 | 2 |
| 239 | K300010814 | VIS H M8 x 16 | SCREW H M8 X 16 | 4 |
| 240 | K300010802 | VIS EMB CR 8 x 20 | SCREW H NOTCHED SHOULDER 8 X 20 | 12 |
| 241 | K300010611 | VIS TH 6 x 45 7N ISO 4017 | SCREW TH 6 X 45 ZN | 2 |
| 242 | K300010601 | VIS H 6 x 16 EMB CR | SCREW H NOTCHED SHOULDER 6 X 16 | 6 |





| Rep N° | Ref. | Désignation | Description | Qté |
|--------|-------------|------------------------------------|---------------------------------|-----|
| 301 | K340000026 | PALIER COUPELLE | BLADE GUARD HUB | 1 |
| 302 | K340000025 | REHAUSSE MOTEUR | ENGINE RAISER | 1 |
| 303 | K330020106- | MOTEUR B&S DOV FREIN * | ENGINE B&S DOV | 1 |
| 303 | K330020102- | MOTEUR B&S INTECK 60 FREIN * | ENGINE B&S INTECK 60 | 1 |
| 303 | K330010102 | MOTEUR HONDA GCV 160 FREIN * | ENGINE HONDA GCV 160 | 1 |
| 303 | K330030107- | MOTEUR SUBARU EA190V* | SUBARU ENGINE EA190V | 1 |
| 304 | K306030002 | COURROIE 10 X 6 | V BELT 10 X 6 | 1 |
| 305 | K302030082 | MOYEU DE LAME | BLADE HUB | 1 |
| 306 | K302030078 | POULIE MOTEUR | PULLEY FOR ENGINE | 1 |
| 307 | K302020071 | ENTRETOISE 40 x 22.3 x 16.5 | ROUND SPACER 40 x 22.3 x 16.5 | 1 |
| 308 | K301040003 | ENTRETOISE 40 x 22.3 x 31 | ROUND SPACER 40 x 22.3 x 31 | 1 |
| 309 | K300431001 | CLAVETTE B.DROIT 4.76 x 4.76 x 4.5 | COTTER 4.76 x 4.76 x 4.5 | 1 |
| 310 | K300430801 | RONDELLE CONTACT M 10 | WASHER M10 | 4 |
| 311 | K300401103 | RONDELLE CONTACT M8 | WASHER M8 | 4 |
| 312 | K300401103 | RONDELLE PLATE 30 x 11 x 5 ZN | WASHER 30 X 11 X 5 ZN | 1 |
| 312 | K300260801 | ECROU H M8 EMB CR | NUT H M8 NOTCHED SHOULDER | 4 |
| 313 | K300060301 | VIS 3/8 TH24 UNF LG 70 ZN | SCREW 3/8 TH24 UNF LG 70 ZN | 1 |
| 314 | K300010835 | VIS TH 8 x 100 ZN | SCREW TH 8 x 100 ZN | 2 |
| 314 | K300010834 | VIS TH 8 x 130 ZN | SCREW TH 8 x 130 ZN | 1 |
| 314 | K300010833 | VIS TH 8 x 110 ZN | SCREW TH 8 x 110 ZN | 1 |
| 315 | K300010830 | VIS H 8 x 16 EMB CR | SCREW H 8 x 16 NOTCHED SHOULDER | 4 |

* Le service après-vente: s'adresser au réseau motoriste concerné
 For the engine's spare parts, please contact the motor's retailers network

| | | | | |
|-----|------------|------------------------------------|--------------------------------------|---|
| 401 | KC02031410 | BRAS DROIT MANCHERON GRIS RAL 8120 | GREY RAL8120 HANDLEBAR RIGHT PART | 1 |
| 402 | KC02031409 | BRAS GAUCHE MANCHERON GRIS RAL8120 | GREY RAL8120 HANDLEBAR LEFT PART | 1 |
| 403 | KC02031408 | TRAVERSE MANCHERON GRIS RAL8120 | GREY RAL8120 HANDLEBAR TIE | 1 |
| 404 | K308020017 | CABLE HOMME MORT | ENGINE BRAKE CABLE | 1 |
| 405 | K308010010 | CABLE AVANCE | FORWARD CLUTCH CABLE | 1 |
| 406 | K307020005 | POIGNEE CAOUTCHOUC DIAM 25 | GRIP | 2 |
| 407 | K307010016 | LEVIER FREIN DIAM 27 | ENGINE BRAKE LEVER | 1 |
| 408 | K307010013 | LEVIER SIMPLE COURSE DE 25 | LEVER | 1 |
| 409 | K307010006 | POIGNEE DEBRAYABLE M10 | HANDLE FOR HANDLEBAR LEVEL SELECTION | 2 |
| 410 | K305000022 | ACCROCHE LANCEUR | HOOK | 1 |
| 411 | K301060002 | COLLIER PLASTIQUE NOIR | BLACK COLLAR | 3 |
| 411 | K301060001 | COLLIER PLASTIQUE | COLLAR | 3 |
| 412 | K300431002 | RONDELLE CONTACT LARGE DE 10 | WASHER D 10 | 2 |
| 413 | K300400601 | RONDELLE PLATE 18 x 6.25 x 1.2 ZN | WASHER 18 X 6.25 X 1.2 ZN | 1 |
| 414 | K300260801 | ECROU H M8 EMB CR | NUT H M8 NOTCHED SHOULDER | 4 |
| 415 | K300210601 | ECROU FREIN H M6 | BLOCKING NUT M6 | 1 |
| 416 | K300080802 | BOULON TRCC 8 x 16 | SCREW TRCC 8 x 16 | 4 |
| 417 | K300010623 | VIS HM 6 x 40 ZN | SCREW HM 6 x 40 | 1 |

SUBARU